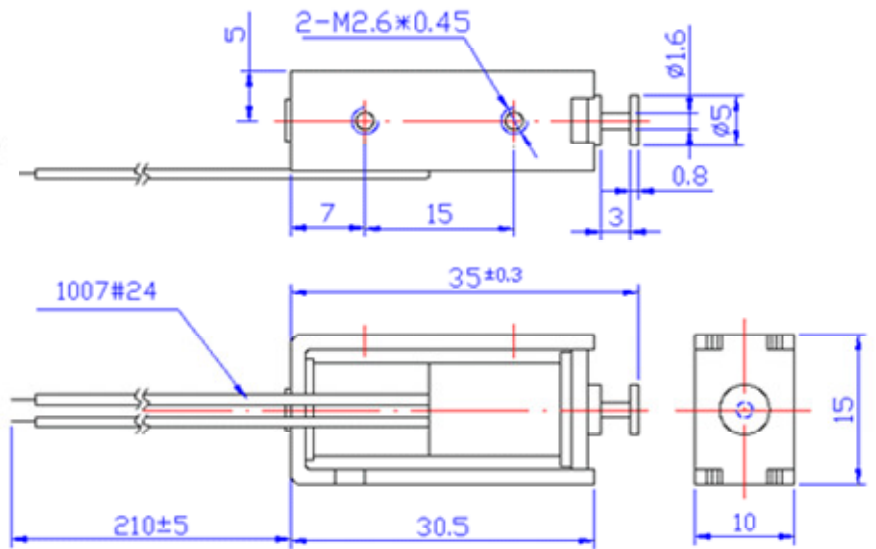
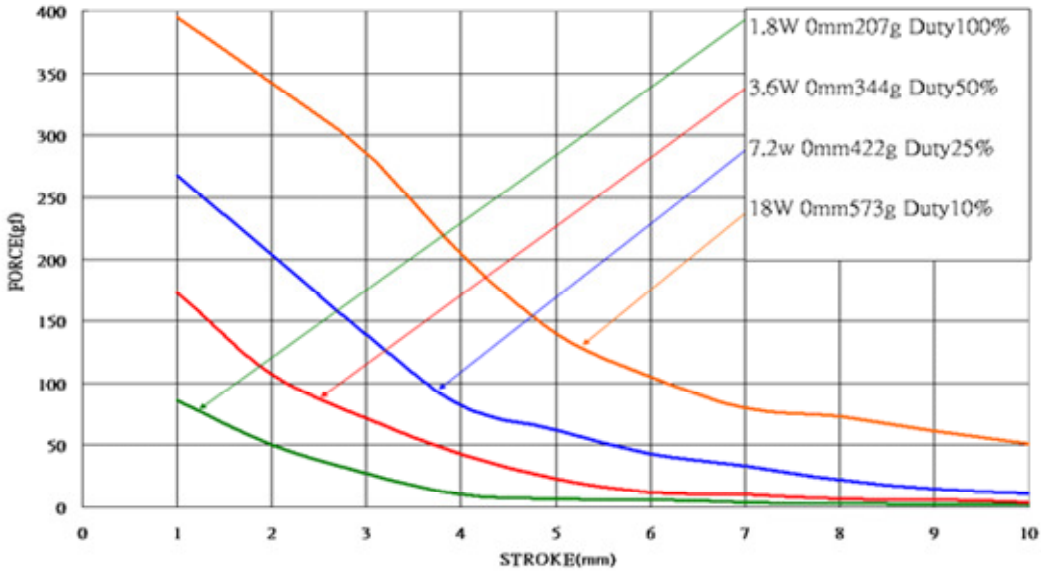
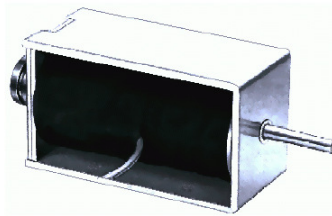


REVISIONS			
REV	DESCRIPTION	DATE	APPROVED



SPECIFICATION

Power at 100% Duty	1.8W
Max ON Time at 50%	Continuous
Power at 50% Duty	3.6W
Max ON Time at 100%	50 Seconds
Power at 20% Duty	9W
Max ON Time at 100%	18 Seconds
Power at 10% Duty	18W
Max ON Time at 100%	2 Seconds
Weight (g)	



		FS-0530S Open Frame Solenoid		
		iNOVA Microsystems Pte Ltd #06-30, NorthStar @ AMK 7030 Ang Mo Kio Ave Singapore 569880 Email: sales@inovamicro.com Tel: (65)65703826 Fax: (65)62344235		
DRAWN Sunny Dec 2011	SIZE A4	FSCM NO	DWG NO	
SCALE			SHEET	1 OF 1